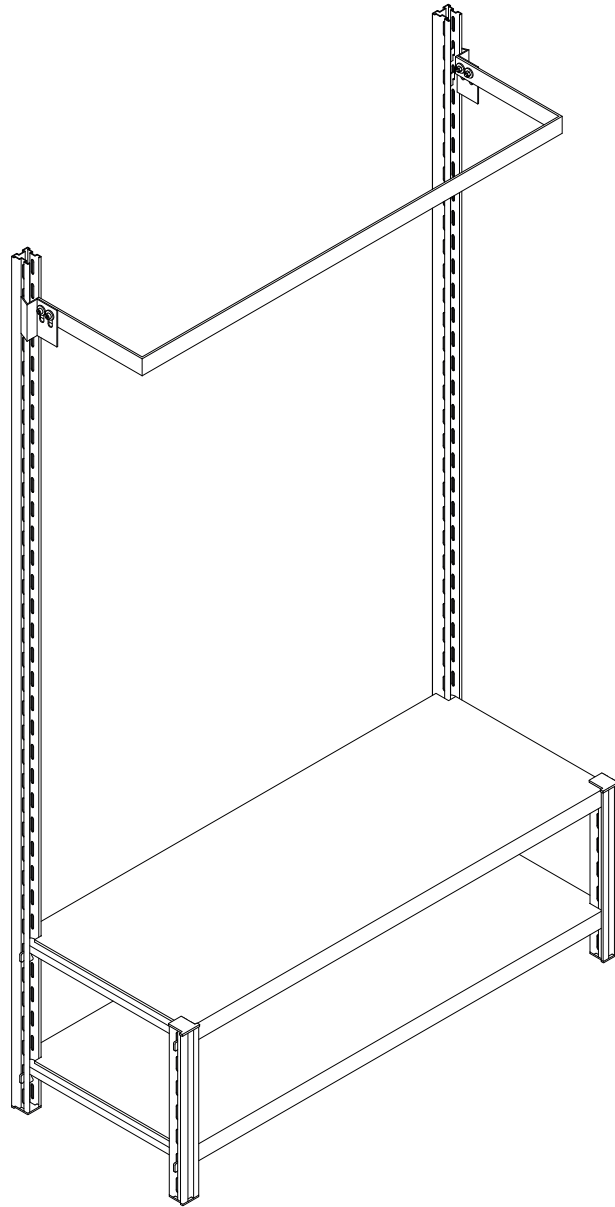


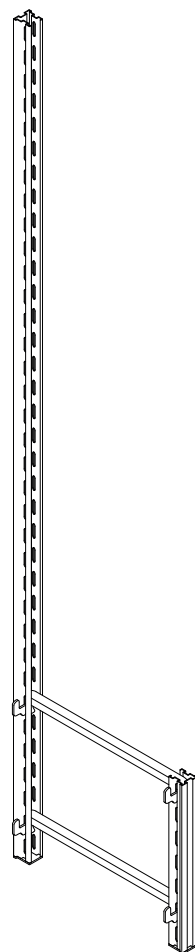
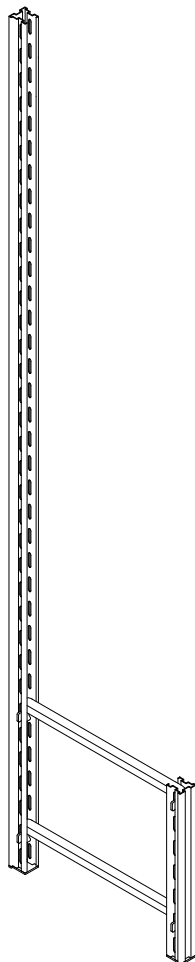
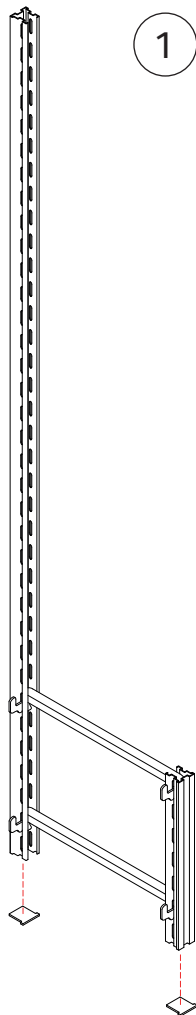
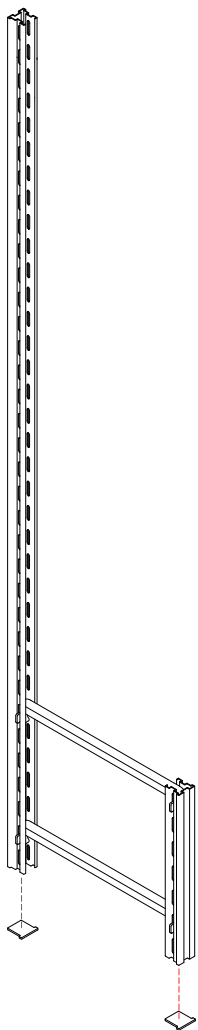
ASSEMBLY INSTRUCTIONS

UNIT WITHOUT BACK PANELS



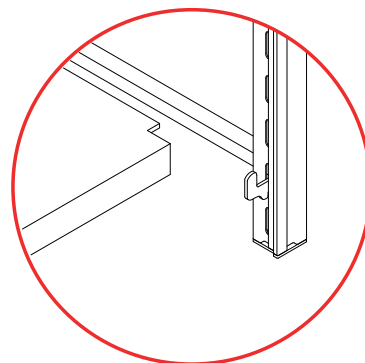
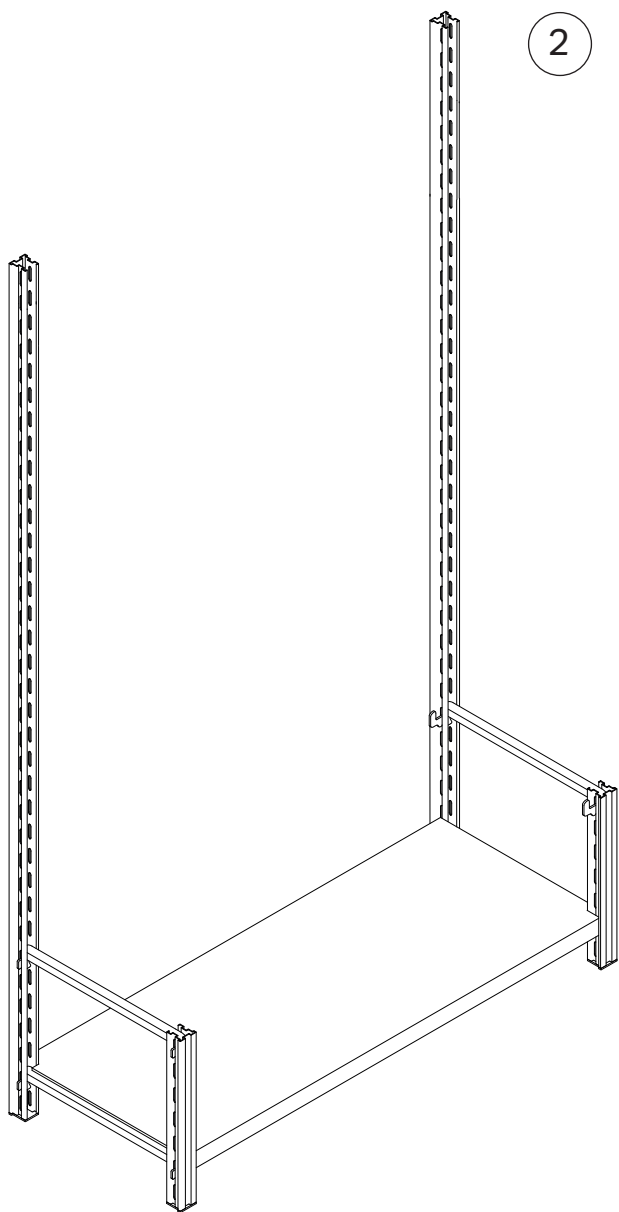
WARNING: to assemble UNIT it is suggested to wear protective gloves in order to avoid injuries. Handle with care every element. Cocci.it does not assume any responsibility for injuries.

1

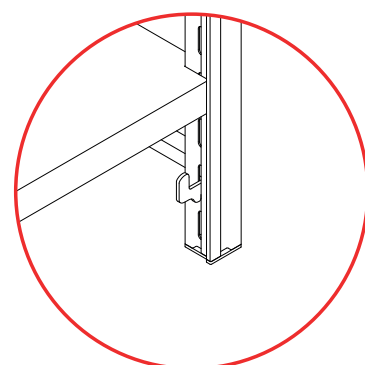


UNIT

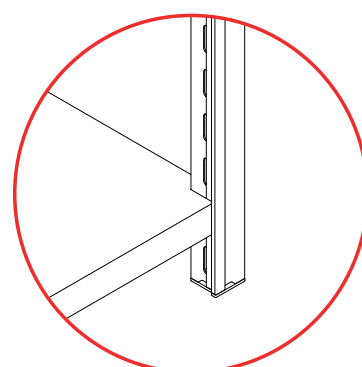
COCC



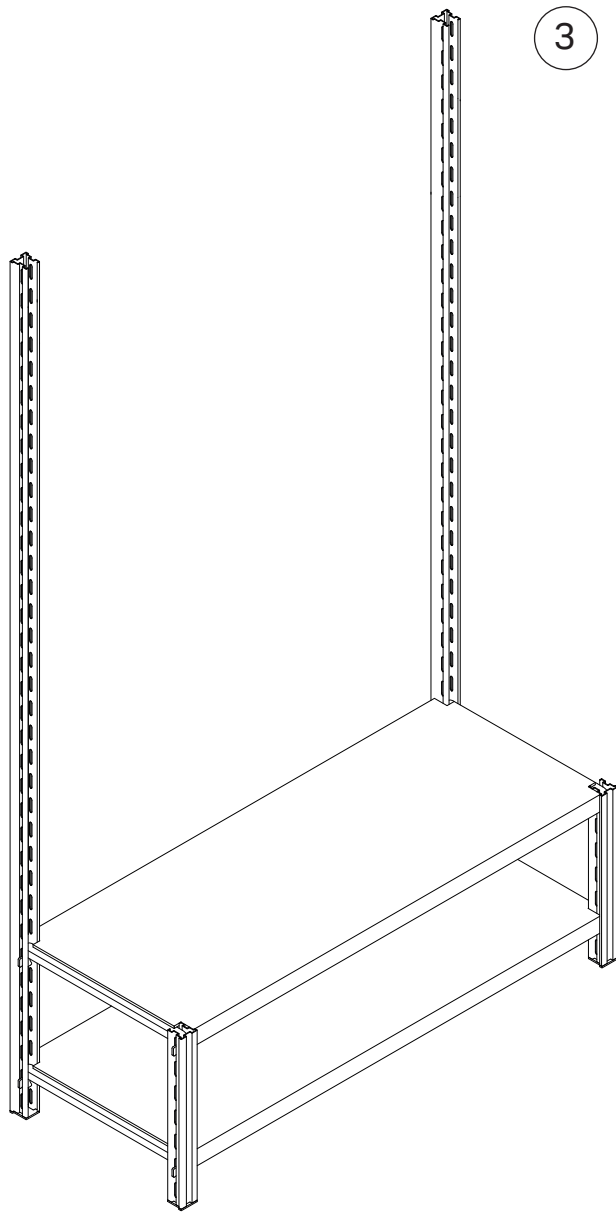
2.1

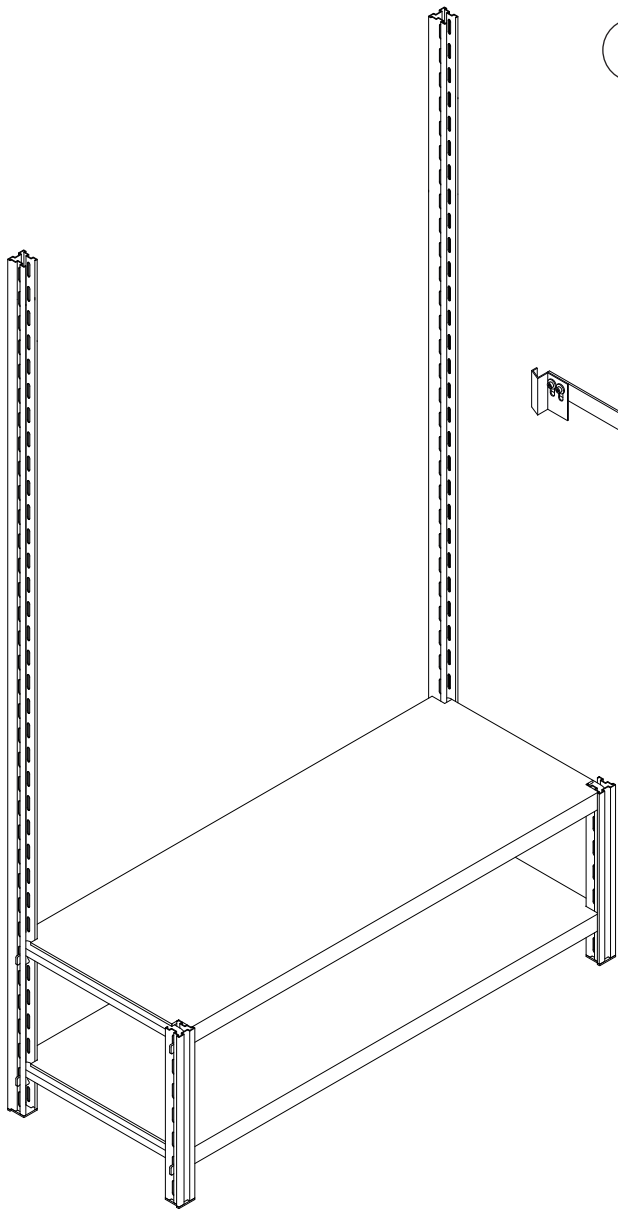


2.2

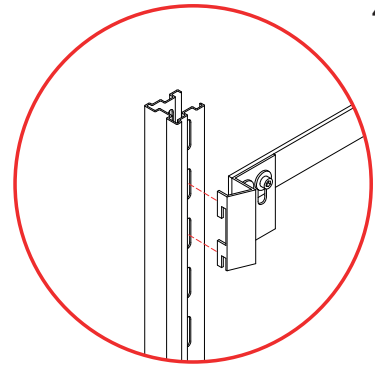
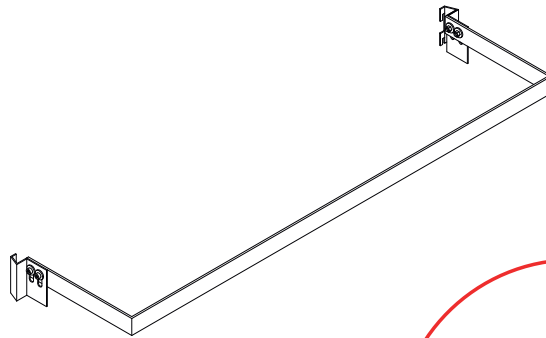


2.3

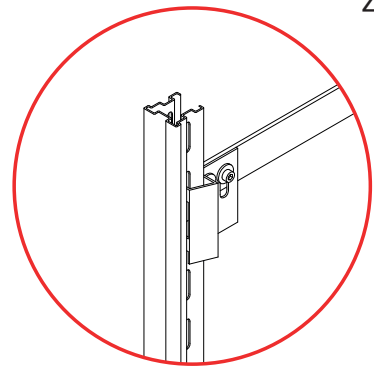




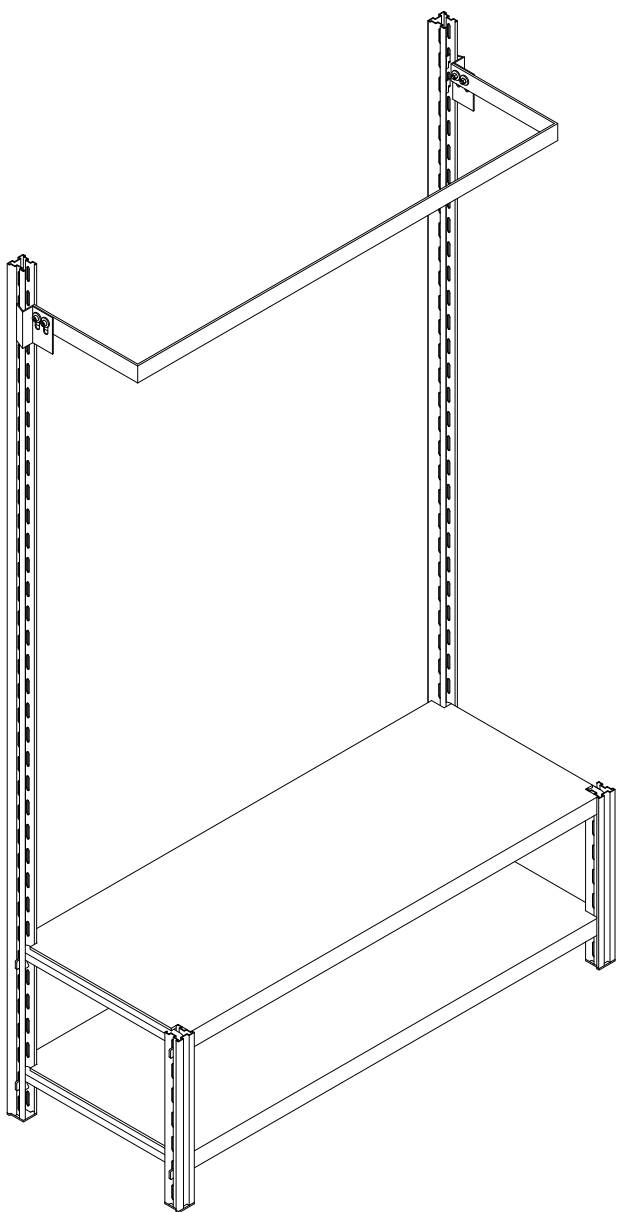
4



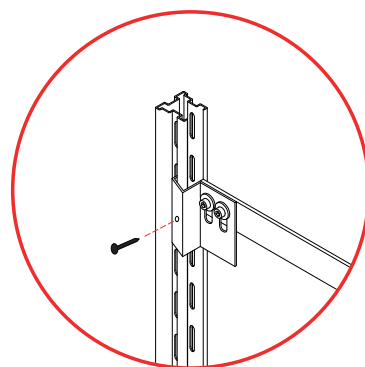
4.1



4.2



Optional



The metal bar can be screwed securely to the vertical uprights using the screws provided in the package. To do it take the screws, place them in the holes of the hooks of the metal bar and screw them in with a drill (the screws will independently drill into the uprights).

5

